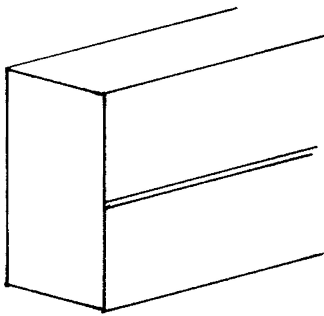
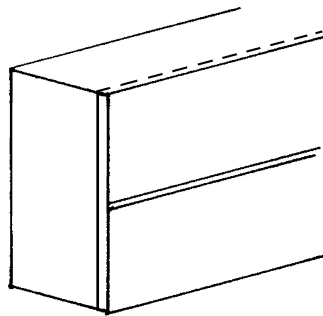


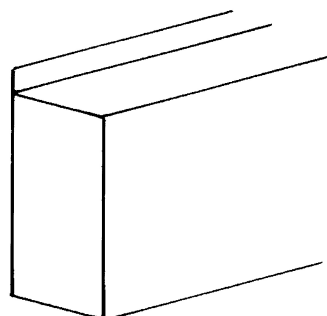
# Brick Ledge Types



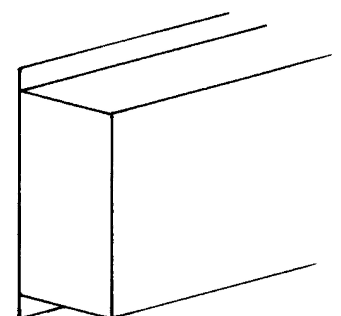
**PS/0**  
Paper Cover  
Solid Core  
(No Flange)



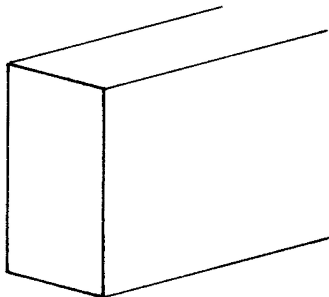
**PS/0W**  
Paper Cover  
Solid Core  
(No Flange)  
Wood Backing



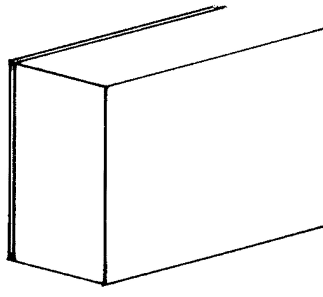
**PS/1**  
Paper Cover  
Solid Core  
(1 Flange)



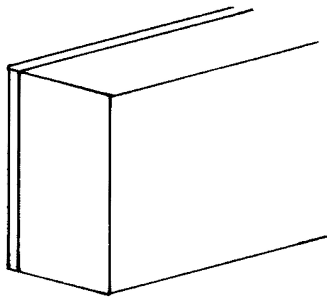
**PS/2**  
Paper Cover  
Solid Core  
(2 Flanges)



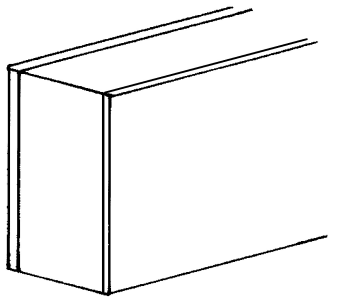
**VS/N**  
Vacuum Sealed  
Solid Core  
No Backing



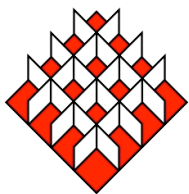
**VS/H**  
Vacuum Sealed  
Solid Core  
Hardboard Backing



**VS/W**  
Vacuum Sealed  
Solid Core  
Wood Backing



**VS/WH**  
Vacuum Sealed  
Solid Core  
Wood Backing  
Hardboard Face



**SureVoid**  
Products, Inc.

COLORADO • (800) 458-5444  
TEXAS • (888) 803-VOID

© 2002 SureVoid Products, Inc.